

## IEC STAINLESS STEEL

- IP69K ENCLOSURE
- INVERTER DUTY 10:1 CT, 20:1 VT
- CSAUS & CE CERTIFIED
- 60/50HZ RATING
- CLASS F INSULATION
- AVAILABLE IN TENV AND TEFC
- 0.25 - 10HP RANGE

VISIT US AT [MEP.CA](http://MEP.CA)



MEP HAS ESTABLISHED ITSELF AS A MARKET LEADER AND RELIABLE CHOICE AS YOUR LOCAL STAINLESS STEEL ELECTRIC MOTOR AND GEARBOX EXPERTS FOR A WIDE VARIETY OF APPLICATIONS



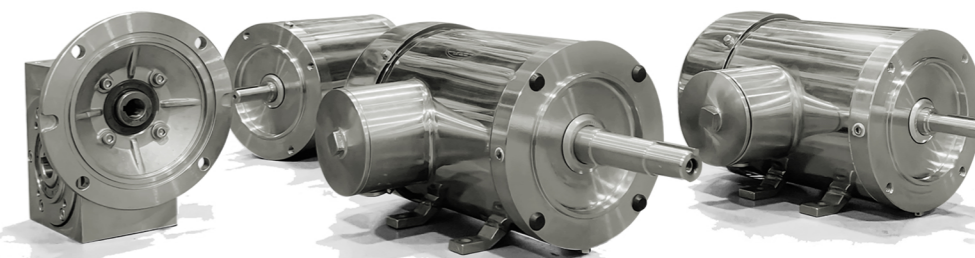
## STAINLESS STEEL IP69K

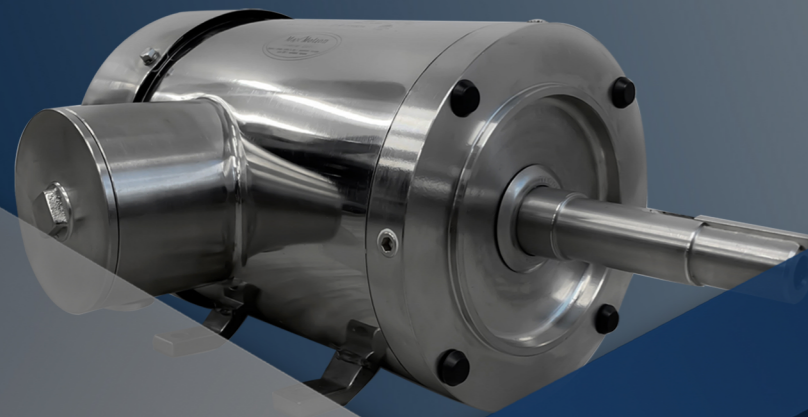


ONTARIO, WESTERN CANADA,  
NEWFOUNDLAND, LABRADOR AND USA:  
TEL: 1-877-812-7788  
EMAIL: [INFORMATION@MEP.CA](mailto:INFORMATION@MEP.CA)

QUEBEC AND MARITIMES:  
TEL: 1-800-361-2347  
EMAIL: [INFO@MEP.CA](mailto:INFO@MEP.CA)

# MaxMotion





## **CLOSED COUPLED PUMP MOTORS JM**

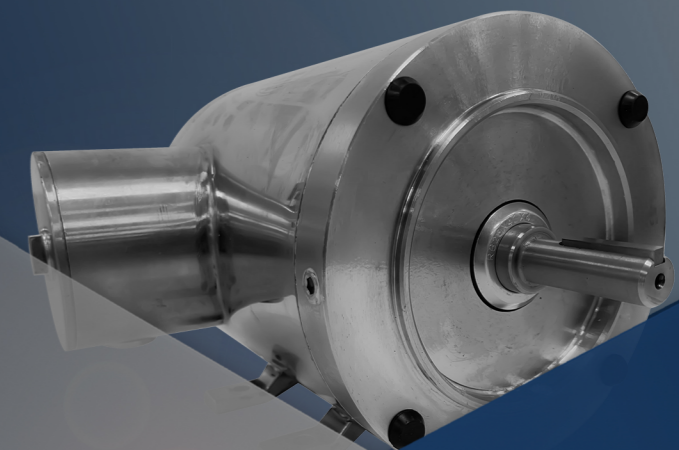
**PREMIUM DESIGN B NEMA 12-12**

- IP69K ENCLOSURE
- INVERTER DUTY 10:1 CT, 20:1 VT
- CSAUS & CE CERTIFIED
- 60/50HZ RATING
- CLASS F INSULATION
- 1 - 10HP RANGE



## **304 SS RIGHT ANGLE SPEED REDUCER**

- TWO BEARINGS ON INPUT SHAFT
- NEMA 56C FACE INPUT
- DOUBLE LIP VITON SEALS
- HARDENED WORM SHAFT
- PERMANENTLY SEALED WITH FOOD GRADE OIL



## **STAINLESS STEEL PREMIUM DESIGN B**

- IP69K ENCLOSURE
- INVERTER DUTY 10:1 CT, 20:1 VT
- CSAUS & CE CERTIFIED
- 60/50HZ RATING
- CLASS F INSULATION
- AVAILABLE IN TENV AND TEFC
- 0.33 - 30HP RANGE